

Accomplish More Work. Automate Manual Tasks.

Power up your productivity with the Lexmark XM3150 MFP. Its fast processor, print, copy and scan speeds—plus productivity solutions—help propel your business forward.



Mono



Duplex
Printing



Solutions



Duplex
ADF - single pass



Security



Up to
50 ppm



7-Inch Touch
Screen



Network



Direct
USB Port



Get More Done. Even Faster.

Now you can achieve much more in less time. Smoother workflows and faster speeds are just some of the great features that will help your business be more productive.

Faster Processing – Improve your print, scan and copy speeds by taking advantage of up to 3 GB of upgradable memory, an 800 MHz dual-core processor and Gigabit Ethernet.

Reliable Performance – Easily print up to 15,000 pages per month, plus enjoy fewer maintenance hassles, thanks to our state-of-the-art paper handling.

Keep Jobs Moving – With a maximum input capacity of up to 2,300 sheets and high yield toner cartridge, you won't have to add paper or change cartridges as often.

Get Work Done Quickly – Enjoy print speeds up to 50 pages per minute, plus print or copy your first page in as little as 6.5 seconds.

Look Professional. Work Smart.

Look sharp from the start. Our multifunction printer with its easy-to-use touch screen and impressive speed lets you power through any print job quickly.

Smart and Easy to Use – A vibrant 7-inch color touch screen provides access to preinstalled productivity solutions and lets you operate the system through smart and intuitive navigation.

Front USB Port – Print without a PC using our convenient USB port that lets you walk up, preview and print PDFs and many other file formats.

Print on a Wide Range of Media – With built-in 2-sided printing and the ability to print on diverse materials, you can do more for your business and use less paper.

Innovative Toner that Optimizes Performance – Get greater system performance with Lexmark's Unison™ Toner, which delivers consistent image quality from first print to last.

Solutions Capable for a Smarter Workflow.

Our solutions-capable, eco-friendly system can simplify processes and help you quickly respond to changing business needs—giving you a competitive edge.

Work Smarter not Harder – If you can use a mobile phone application, you can use our preloaded solutions. Touch the screen and access shortcuts that let you scan, print or send faxes, emails and other business-critical documents fast.

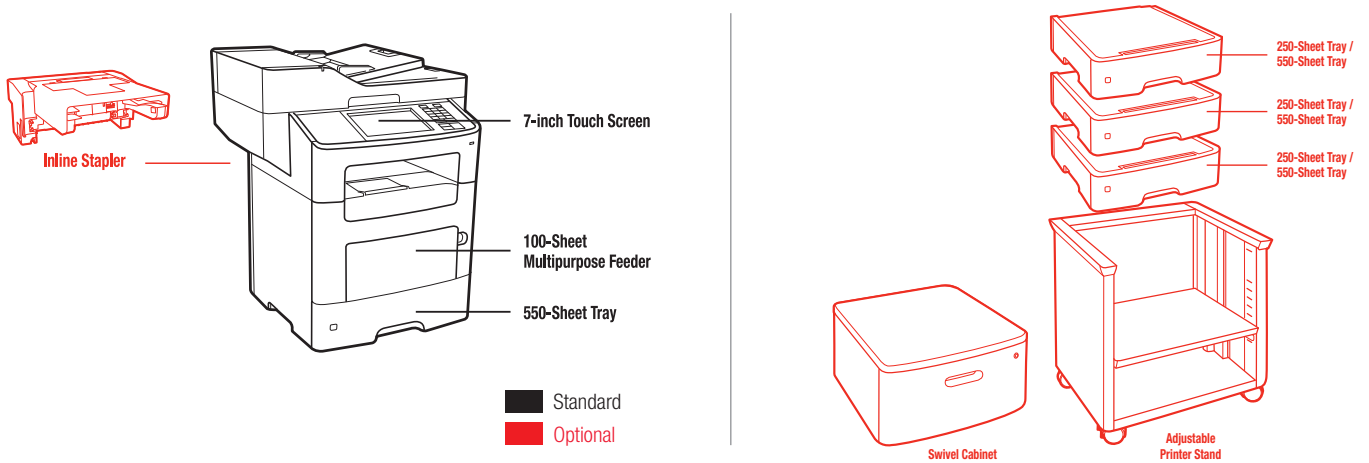
Save Resources and the Planet – With preinstalled solutions like Eco-copy, as well as Forms and Favorites, you can print only the forms you need, saving toner, paper and the environment.

Enjoy Enterprise-level Security – Now you can authenticate, authorize and audit employee usage—plus protect sensitive data using standard network security protocols.

Print Anytime and Anywhere – With this system, you can print from desktops as well as mobile devices that can run applications.

LEXMARK

Lexmark XM3150 Monochrome Laser Multifunction Printer



Product specifications

Lexmark XM3150

Printing	
Display	Lexmark e-Task 7-inch (17.8 cm) color touch screen with audible and tactile feedback
Print Speed: Up to	Black: 50 ppm
Time to First Page: As fast as	Black: 6.5 seconds
Print Resolution	1200 Image Quality, 1200 x 1200 dpi, 2400 Image Quality, 600 x 600 dpi
Processor Speed	Dual Core, 800 MHz
Memory	Standard: 1024 MB / Maximum: 3072 MB
Hard Disk	Optional
Recommended Monthly Page Volume ²	2000-15000 pages
Maximum Monthly Duty Cycle: Up to ³	150000 pages per month
Copying	
Copy Speed: Up to	Black: 50 cpm
Time to First Copy: As fast as	Black: 6.5 seconds
Reduce / Enlarge Range	25 - 400%
Scanning	
Duplex Scan Speed: Up to	A4/Ltr, Black: 20 / 21 sides per minute - A4/Ltr, Color: 13 / 14 sides per minute
Simplex Scan Speed: Up to	A4/Ltr, Black: 45 / 48 sides per minute - A4/Ltr, Color: 30 / 32 sides per minute
Scanner Type	Flatbed scanner with ADF / RADF (Reversing Duplex) / 50 pages 20 lb. or 75 gsm bond
Optical Scanning Resolution	600 x 600 dpi (color), 1200 X 600 ppi (black)
Faxing	
Modem Speed	ITU T.30, V.34 Half-Duplex, 33.6 Kbps
Supplies	
Laser Cartridge Yield	16000 ¹ -page Toner Cartridge
Cartridge(s) Shipping with Product	Up to 7500 pages ¹ Starter Toner Cartridge
Imaging Unit	60000 pages
Paper Handling	
Paper Handling Standard	550-Sheet Input, 100-Sheet Multipurpose Feeder, 250-Sheet Output Bin, Integrated Duplex
Paper Handling Optional	250-Sheet Tray, 550-Sheet Tray, Inline Stapler
Paper Input Capacity: Up to	Standard: 650 pages 20 lb or 75 gsm bond / Maximum: 2300 pages 20 lb or 75 gsm bond
Paper Output Capacity: Up to	Standard: 250 pages 20 lb or 75 gsm bond / Maximum: 250 pages 20 lb or 75 gsm bond
Media Types Supported	Card Stock, Envelopes, Paper Labels, Plain Paper, Transparencies, Refer to the Card Stock & Label Guide
Media Sizes Supported	10 Envelope, 7 3/4 Envelope, 9 Envelope, A4, A5, A6, DL Envelope, Executive, Folio, JIS-B5, Legal, Letter, Oficio, Statement, Universal
General	
Standard Ports	One Internal Card Slot, USB 2.0 Specification Hi-Speed Certified (Type B), Front USB 2.0 Specification Hi-Speed Certified port (Type A), Rear USB 2.0 Specification Hi-Speed Certified port (Type A), Gigabit Ethernet (10/100/1000)
Optional Network Ports	Internal MarkNet™ N8350 802.11b/g/n Wireless
Optional Local Ports	Internal RS-232C serial, Internal 1284-B Bidirectional Parallel
Noise Level, Operating	Print: 55 dBA / Copy: 56 dBA / Scan: 55 dBA
ENERGY STAR	Yes
Specified Operating Environment	Temperature: 16 to 32°C (60 to 90°F), Humidity: 8 to 80% Relative Humidity, Altitude: 0 - 3048 Meters (10,000 Feet)
Size (in. - H x W x D) / Weight (lb.)	22.1 x 19.3 x 18.9 in. / 52 lb.

Visit partnernet.lexmark.com for more information on Lexmark XM3150.

¹ Based on approximately 5% print coverage. Actual yields may vary based on factors such as page coverage, image type, job size, print/copy/fax modes, and duplexing.

² "Recommended Monthly Page Volume" is a range of pages that helps customers evaluate Lexmark's product offerings based on the average number of pages customers plan to print on the device each month. Lexmark recommends that the number of pages per month be within the stated range for optimum device performance, based on factors including: supplies replacement intervals, paper loading intervals, speed, and typical customer usage.

³ "Maximum Monthly Duty Cycle" is defined as the maximum number of pages a device could deliver in a month using a multishift operation. This metric provides a comparison of robustness in relation to other Lexmark printers and MFPs.



Lexmark and Lexmark with the diamond design are trademarks of Lexmark International, Inc., registered in the United States and/or other countries. All other trademarks are the property of their respective owners. ENERGY STAR® is a U.S. registered mark. Information in this document is subject to change without notice. Unison is a trademark of Lexmark International, Inc. Information in this document is subject to change without notice.